

General Specifications

Motor Type:

DC Brushless

Motor Protection:

Auto Restart / Polarity Protection (Motor withstands reverse connection for positive and negative leads.)

Insulation Resistance:

10MΩ or over with a DC 500V Megger

Dielectric Withstand Voltage:

AC 700V 1sec

Allowable Ambient Temperature Range:

-10°C ~ + 70°C (Operating)

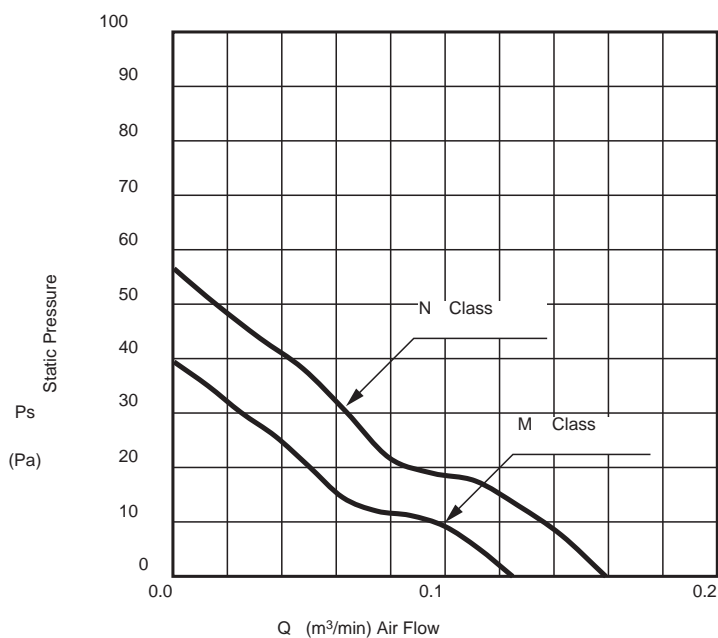
-40°C ~ + 70°C (Storage)

(non-condensing environment)



**This photo is for reference only. Please refer to fan outline for details*

Characteristic Curves



Life Expectancy L10

30,000 Hours at 40°C

**Fan life expectation is based on free air operation at 40°C, rated voltage, and indoor benign lab environment*

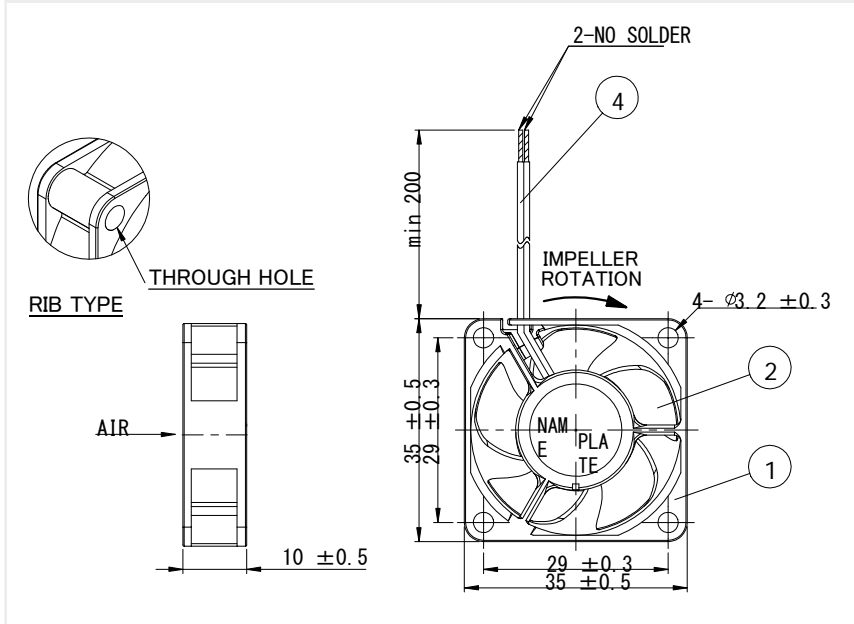
Specifications

MODEL	Rating Voltage	Operating Voltage	Current	Input Power	Speed	Max. Air Flow		Max. Static Pressure		Noise	Mass
	(V)	(V)	(A)*1	(W)*1	(min ⁻¹)*1	(CFM)	(m ³ /min)	(in H ₂ O)	(Pa)	(dB)*1	(g)
03510SS-05M-AA-00	5	4.5 to 5.5	0.12	0.60	8,000	4.2	0.12	0.16	39.4	22.4	10.5
03510SS-05N-AA-00	5	4.5 to 5.5	0.20	1.00	10,000	5.7	0.16	0.23	56.3	27.0	10.5
03510SS-12M-AA-00	12	6 to 13.2	0.05	0.60	8,000	4.2	0.12	0.16	39.4	22.4	10.5
03510SS-12N-AA-00	12	6 to 13.2	0.07	0.84	10,000	5.7	0.16	0.23	56.3	27.0	10.5

*1: Values in Free Air

Outlines

(Outline)



Materials

Case: Plastic (Black UL94V-0)
Impeller: Plastic (Black UL94V-0)
Bearing: Sleeve Bearing
Lead Wire: (+): Red (-) Black
 UL1061 AWG26 or Equivalent

(Panel Out-line)

